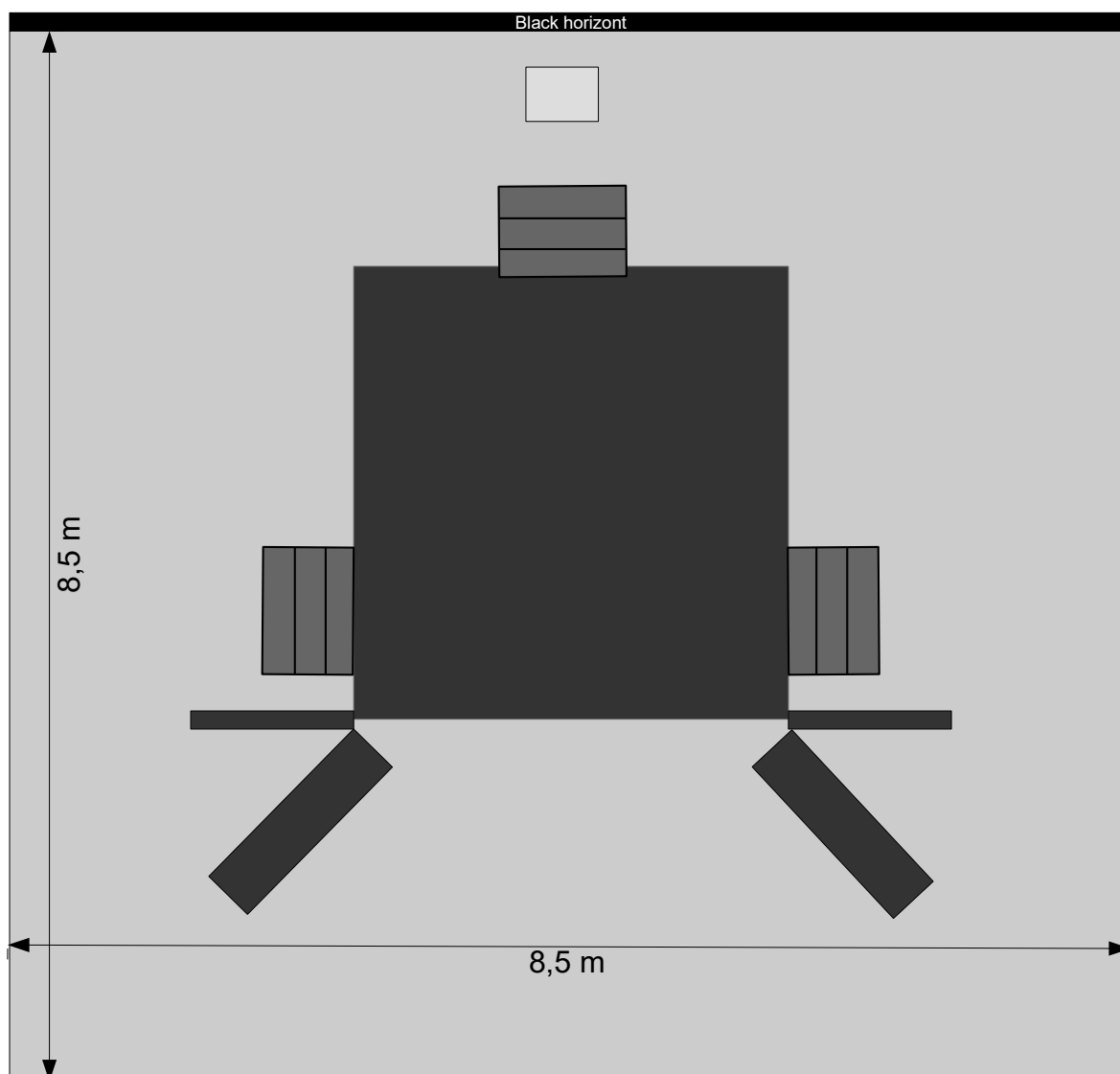


Krysař - Ratcatcher

Spatial layout and technical requirements



A horizontal playing area with dimensions of at least 8.5 x 8.5 meters.

Height min. 4 m.

You can't play on a slanted stage.

- darkened hall, black horizon, scarves
- decoration construction time approximately 2 hours, demolition 1.5 hours
- 4 technicians are needed for construction

If you have any questions please contact:

Martin Cenek – stage technician

Phone: +420 731 155 184

E-mail: cenek.martin@gmail.com



Sound requirements:

Please, have the following ready for us upon arrival:

- good quality PA system (subs included) appropriate for the size of the venue
- at least 3 monitors, one on each side of the stage and one in the back
- mixing console
- 1 stereo channel (for my audio interface - 2x XLR)
- 1 mono channel (our own wireless microport)
- possibility to connect our own hardware effects unit (preferably as an insert of the mic channel) - not necessary if the venues console has a pitch shifter

Daniel Vejmelka – Master of sound
Phone: +420 720 685 924
E-mail: vejmelka.daniel@gmail.com

Lights requirements:

Please, have the following ready for us upon arrival:

- DMX stage - booth connection
- possibility to place your own lighting desk
- 3 x fixed 230v socket on stage
- 2 x regulated socket on stage
- switching off smoke sensors
- 2 x profile light at the front
- 10 x PC 1000W above the auditorium
- 6 x PC 1000W on stage

Radek Okurek – Master of lights
Phone: +420 604 618 150
E-mail: radkeu@atlas.cz